

TVS 

TVS THE ALL-NEW
Supiter

INDIA KA NAYA ZYADA



TVS THE ALL-NEW **Jupiter**

With a modern design and a variety of first-in-segment features, the all-new TVS Jupiter is tailored to offer the best of technology, comfort, convenience, style, and safety.

INTRODUCING

THE ALL-NEW TVS JUPITER WITH FEATURES WHICH WILL DELIGHT YOU AND YOUR FAMILY.

1ST IN SEGMENT



 INFINITY LIGHT BAR	 FULLY-DIGITAL COLOURED CLUSTER	 EMERGENCY BRAKE WARNING	 FOLLOW ME HEADLAMP
 FRONT FUEL FILLING	 LONG SEAT	 DOUBLE HELMET SPACE	
 TVS iQ Assist	 TURN SIGNAL LAMP RESET	 LED HEADLIGHT	 HAZARD LAMP

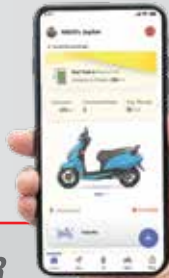
10% MORE MILEAGE
& BETTER PICKUP

*Under TVSM internal test conditions.

TECHNOLOGY

THAT HELPS YOU
STAY CONNECTED, ALWAYS.

TVS
SMART XCONNECT



1ST IN SEGMENT

FULLY-DIGITAL COLOURED CLUSTER
USE TECH TO YOUR ADVANTAGE.



NAVIGATION
ASSIST



VOICE
ASSIST



FIND MY
VEHICLE



BLUETOOTH
CONNECTED



CALL & TEXT
NOTIFICATIONS



AVERAGE
FUEL ECONOMY

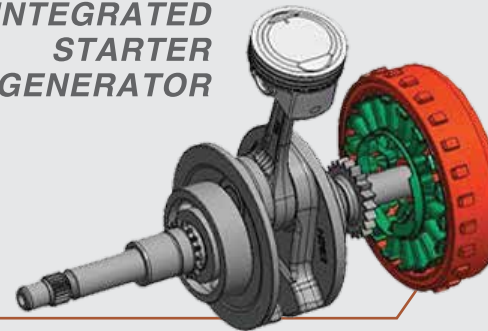
1ST IN SEGMENT

TVS **i60** Assist



ALL-NEW
REFINED ENGINE

INTEGRATED
STARTER
GENERATOR



SILENT START



NEXT-GEN STOP-GO
TECHNOLOGY WITH

10% MORE MILEAGE*

MORE
SAVINGS

An **innovative technology** where performance meets mileage. Gives 10% more mileage* and better pickup just when you need it.

* Under TVSM internal test conditions.

KEEP YOUR
LOVED ONES SAFE.



METAL MAXX BODY

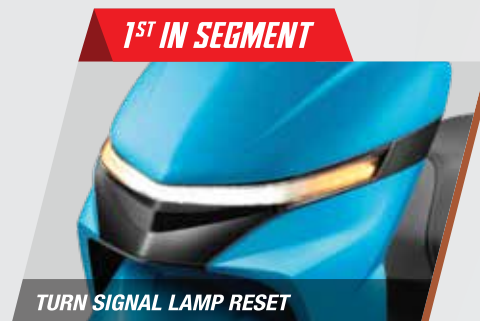
STURDY AND DURABLE BUILD
FOR ENHANCED PROTECTION



1ST IN SEGMENT

FOLLOW ME HEADLAMP

LIGHTS UP YOUR PATH



1ST IN SEGMENT

TURN SIGNAL LAMP RESET

YOUR RIDE MADE SAFER -
AUTO OFF INDICATORS



1ST IN SEGMENT

EMERGENCY BRAKE WARNING

ALERT OTHER RIDERS DURING
SUDDEN BRAKE

CONVENIENCE
FOR EVERY NEED & FOR EVERYONE.



1ST IN SEGMENT

FRONT FUEL FILLING

FUELING YOUR VEHICLE HAS NEVER
BEEN EASIER



1ST IN SEGMENT

GLOVE BOX WITH MOBILE CHARGER

POWER YOUR DEVICES ON THE GO



DOUBLE HELMET SPACE

CARRY EVERYTHING YOU NEED
AND MORE



ALL-IN-ONE LOCK

UNLOCK YOUR SEAT AND FUEL TANK
WITH A SINGLE KEY

MAKES SURE
YOUR RIDES
ARE COMFORTABLE.



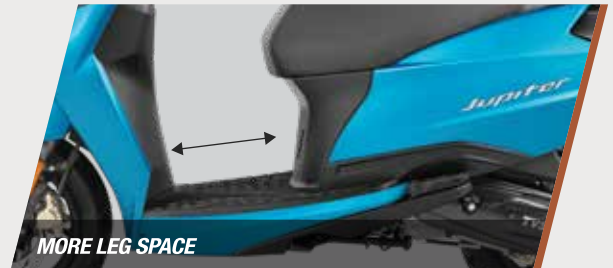
BODY BALANCE TECHNOLOGY

BETTER BALANCE AND STABILITY ON EVERY TERRAIN



BIGGER 12" ALLOY WHEELS

EXPERIENCE SUPERIOR HANDLING AND STABILITY



MORE LEG SPACE

NEVER FALL SHORT ON COMFORT



3-STEP ADJUSTABLE SHOCKERS

GO THROUGH ROUGH TERRAIN WITH EASE

ELEGANT COLOURS.

**DAWN BLUE
MATTE**



**GALACTIC COPPER
MATTE**



**STARLIGHT BLUE
GLOSS**



**LUNAR WHITE
GLOSS**



**TITANIUM GREY
MATTE**



**METEOR RED
GLOSS**



SPECIFICATIONS

ENGINE (BS-VI compliant)

Type	Single cylinder, 4-stroke, CVTi, fuel injection
Displacement	113.3 cc
Bore x Stroke	51 x 55.5 mm
Air Filter Type	Paper filter
Maximum Power	5.9 kW @ 6500 rpm
Maximum Torque	9.8 Nm @ 5000 rpm (with assist) 9.2 Nm @ 5000 rpm (without assist)
Transmission Type	CVT automatic
Starting System	Kick* and electric starter

ELECTRICALS

Ignition	ECU-controlled ignition
Battery	12V, 5Ah (SmartXconnect variant) MF battery 12V, 4Ah (Drum and Drum Alloy) MF battery
Headlamp	LED
Tail Lamp	LED

CHASSIS & SUSPENSION

Dimensions (l*h*b)	1848 x 665 x 1258 mm
Wheelbase	1275 mm
Ground Clearance	163 mm (unladen)
Front Suspension	Telescopic hydraulic
Rear Suspension	Twin tube emulsion type shock absorber with 3-step adjustment.

BRAKES & TYRES

Front	220 mm Disc*, 130 mm Drum variant
Rear	130 mm Drum
Tyre Size	(Front & Rear) 90/90-12-54 J (tubeless)

*Terms and conditions apply.

Product	Colour	iGO Assist	SmartXconnect	Signature Infinity Light Bar
Drum		—	—	—
Drum Alloy		—	—	—
Drum SmartXconnect		✓	✓	✓
Disc SmartXconnect		✓	✓	✓

ALWAYS WEAR A HELMET WHILE RIDING.

www.tvsmotor.com/tvs-jupiter | CALL: 1800 315 7777



TVS MOTOR COMPANY LIMITED

P. B. No. 4, Harita, Hosur - 635 109, Tamil Nadu, India.
Telephone: +91 (4344) 276780 Fax: +91 (4344) 277311/276878